

Please note that the data given here has been taken from the online catalog. For comprehensive information and data, please refer to the user documentation at <http://www.download.phoenixcontact.com>. The General Terms and Conditions of Use apply to Internet downloads.

► Extract from the online catalog



MCR 3-way isolating amplifier, for electrical isolation of analog signals, input signal: 0..10 V, output signal: 4..20 mA

The illustration shows version MCR-C-I-I-00-DC

Order No.	2814537
Ord designation	MCR-C-U-I-4-DC
EAN	4017918156220
Pack	5 Pcs.
Customs tariff	85389091
Weight/Piece	0.08198 KG
Catalog page information	Page 311 (IF-2007)

► Product notes

WEEE/RoHS-compliant since: 11/17/2006



IMPORTANT : This date is valid for Customers in Germany only. Date Format is MM/DD/YYYY. Please contact your local in-country Phoenix Contact location or designated business partner for a Logistics Compliant date in your area. In order to guarantee delivery of RoHS-Compliant product, please purchase Phoenix Contact parts from authorized Phoenix Contact representatives and distributors.

MCR-C-U-I-4-DC



▶ **Technical data**

Input data

Description of the input	Voltage input
Configurable/programmable	No
Voltage input signal	0 V ... 10 V
Max. input voltage	30 V
Input resistance of voltage input	100 kΩ

Output data

Output name	Current output
Configurable/programmable	No
Current output signal	4 mA ... 20 mA
Max. output current	30 mA
Load/output load current output	< 500 Ω
Linear transmission range (in reference to the output range end value)	-5 % ... 105 %

Power supply

Range of supply voltages	20 V DC ... 30 V DC
Typical current consumption	< 15 mA (without load)

Connection data

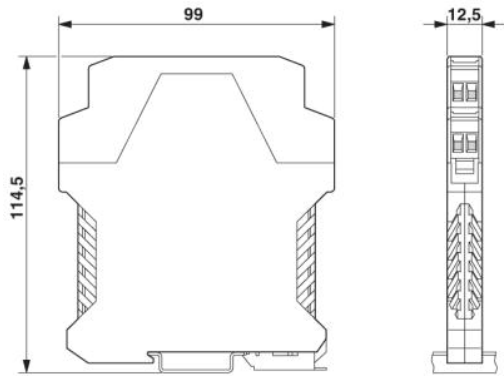
Type of connection	Pluggable screw connection
Conductor cross section solid min.	0.2 mm ²
Conductor cross section solid max.	2.5 mm ²
Conductor cross section stranded min.	0.2 mm ²
Conductor cross section stranded max.	2.5 mm ²
Conductor cross section AWG/kcmil min.	24
Conductor cross section AWG/kcmil max	14
Stripping length	8 mm
Screw thread	M 3

General data

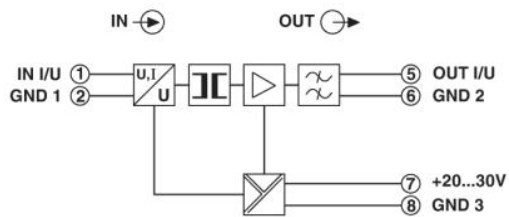
No. of channels	1
Length	114.5 mm
Width	12.5 mm
Height	99 mm
Transmission error, max.	< 0.3 % (of end value)
Transmission error, typical	< 0.2 % (of end value)
Temperature coefficient, max. (/K)	< 0.015 %/K
Cut-off frequency (3 dB)	30 Hz
Step response (10-90%)	11 ms
Protective circuitry	Transient protection
Ambient temperature (operation)	-25 °C ... 60 °C
Color	green
Housing material	Polyamide PA non-reinforced
Installation position	Any
Conformance	CE compliance

▶ Drawings

Dimensioned drawing



Circuit diagram



► Accessories

Item	Designation	Description
Bridges		
2820916	DB 50- 90 BK	Wire bridge, 50-position, divisible, for bridging identical inputs and outputs, 0.5 mm ² , insulation: black
2821180	DB 50- 90 BU	Wire bridge, 50-position, divisible, for bridging identical inputs and outputs, 0.5 mm ² , insulation: blue
2820929	DB 50- 90 GY	Wire bridge, 50-position, divisible, for bridging identical inputs and outputs, 0.5 mm ² , insulation: gray

► Address

PHOENIX CONTACT GmbH & Co. KG
Flachsmarktstr. 8
32825 Blomberg
Germany
Phone +49 5235 3 00
Fax +49 5235 3 41200
<http://www.phoenixcontact.de>
Phoenix Contact
Technical modifications reserved;